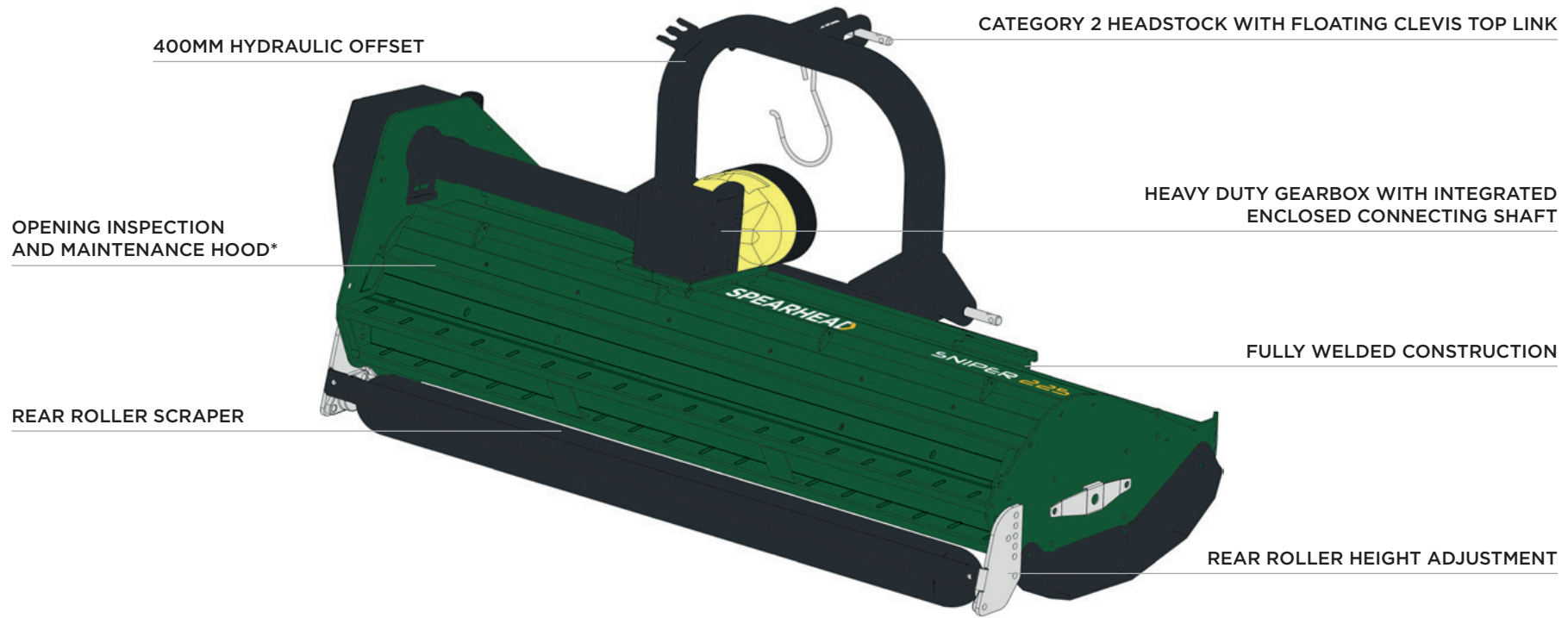


SPEARHEAD

SNIPER



SNIPER FEATURES



- SNIPER 190**
- SNIPER 225**
- SNIPER 250**
- SNIPER 270**



TRACTOR HP

50hp (37kW)

60hp (45kW)

80hp (60kW)

80hp (60kW)



PTO SPEED

540/1000rpm

540/1000rpm

540/1000rpm

540/1000rpm



TRANSPORT WIDTH

2.10m (6' 11")

2.45m (8' 1")

2.70m (8' 10")

2.90m (9' 6")



3 POINT LINKAGE MOUNTING



CUTTING WIDTH

1.90m (6' 3")

2.25m (7' 5")

2.50m (8' 2")

2.70m (8' 10")



FLAIL TYPE

Heavy-duty hammer flail

Heavy-duty hammer flail

Heavy-duty hammer flail

Heavy-duty hammer flail



NO. OF FLAILS

24

28

32

34



CUTTING HEIGHT

10mm - 30mm (0.4" - 1.2")

10mm - 30mm (0.4" - 1.2")

10mm - 30mm (0.4" - 1.2")

10mm - 30mm (0.4" - 1.2")

UNIT OPTIONS



REAR WHEEL KIT (INSTEAD OF REAR ROLLER)



BACK TO BACK FLAILS

*For inspection purposes only and not to be opened whilst working. Spearhead Machinery claims no responsibility for accident or incident arising from the opening of the inspection area whilst the machine is in operation.

AIM FOR THE HIGHEST QUALITY FINISH



AGRICULTURE



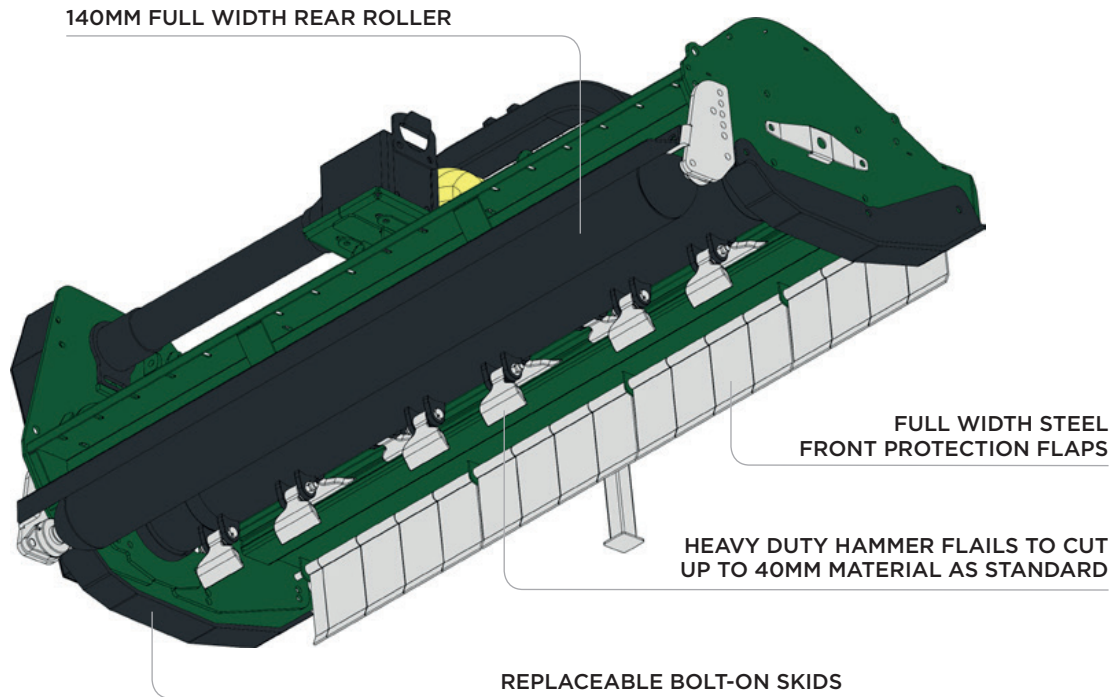
PASTURE



AMENITY



LIGHT SCRUB

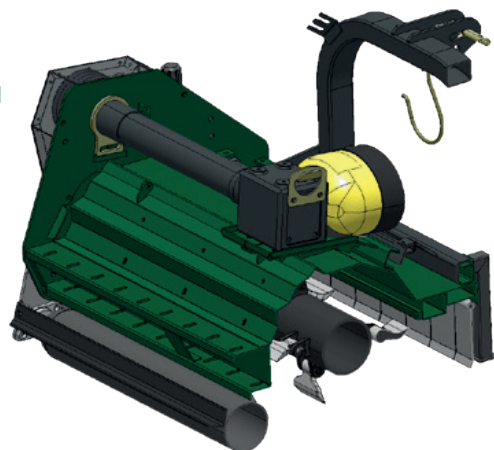


The Sniper flail mower is designed for agricultural and municipal use giving a high quality and consistent cut in material up to 40mm. It is the perfect choice for maintenance of farmland and pasture areas.

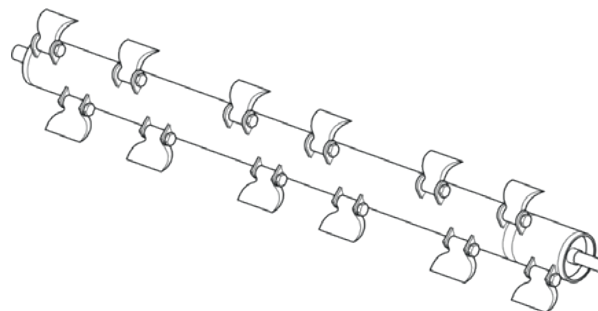
This robust machine features heavy duty hammer flails fitted on an electronically balanced rotor mounted on enclosed, self-aligning bearings. Belt drive gives reliable power transmission and a 140mm full width adjustable, self-cleaning rear roller with scraper will ensure a quality cut and well distributed finish.

The Sniper range is available in a choice of working widths between 1.9 and 2.7 metres with operating flexibility offered by a 400mm hydraulic side shift that allows work around trees and other obstructions.

CONSTRUCTION



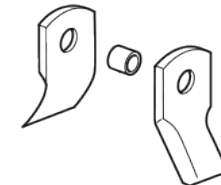
ROTOR DESIGN



FLAIL OPTIONS



HAMMER



BACK-TO-BACK (OPTION)

STANDARD SPECIFICATION	SNIPER 190	SNIPER 225	SNIPER 250	SNIPER 270
Machine weight	500kg (1102lbs)	565kg (1246lbs)	620kg (1367lbs)	670kg (1477lbs)
Hitch	Cat 2 with floating clevis top link	Cat 2 with floating clevis top link	Cat 2 with floating clevis top link	Cat 2 with floating clevis top link
Hitch position	Rear mount only	Rear mount only	Rear mount only	Rear mount only
Cutting width	1.90m (6' 3")	2.25m (7' 5")	2.50m (8' 2")	2.70m (8' 10")
Overall width	2.10m (6' 11")	2.45m (8' 1")	2.70m (8' 10")	2.90m (9' 6")
Overall length	0.95m (3' 2")	0.95m (3' 2")	0.95m (3' 2")	0.95m (3' 2")
Cowl height	480mm (1' 7")	480mm (1' 7")	480mm (1' 7")	480mm (1' 7")
Cutting height	10mm - 30mm (0.4" - 1.2")	10mm - 30mm (0.4" - 1.2")	10mm - 30mm (0.4" - 1.2")	10mm - 30mm (0.4" - 1.2")
Cutting capacity	40mm (1.6")	40mm (1.6")	40mm (1.6")	40mm (1.6")
Maximum offset distance (hydraulic)	400mm (1' 4")	400mm (1' 4")	400mm (1' 4")	400mm (1' 4")
Recommended tractor HP	50hp (37kW)	60hp (45kW)	80hp (60kW)	80hp (60kW)
Power take-off speed	540/1000rpm	540/1000rpm	540/1000rpm	540/1000rpm
Gearbox	Cast iron housing with integrated enclosed connecting shaft	Cast iron housing with integrated enclosed connecting shaft	Cast iron housing with integrated enclosed connecting shaft	Cast iron housing with integrated enclosed connecting shaft
Input shaft	1-3/8" Z6	1-3/8" Z6	1-3/8" Z6	1-3/8" Z6
Gearbox lubricant	EP80-90W or GL-4 / GL-5 oil	EP80-90W or GL-4 / GL-5 oil	EP80-90W or GL-4 / GL-5 oil	EP80-90W or GL-4 / GL-5 oil
Gearbox oil capacity	1.2 litres (2.1 pints)	1.2 litres (2.1 pints)	1.2 litres (2.1 pints)	1.2 litres (2.1 pints)
Cowl construction	All welded construction	All welded construction	All welded construction	All welded construction
Skid construction	Replaceable bolt-on skid	Replaceable bolt-on skid	Replaceable bolt-on skid	Replaceable bolt-on skid
Flail	Heavy-duty hammer flail	Heavy-duty hammer flail	Heavy-duty hammer flail	Heavy-duty hammer flail
Flail quantity	24	28	32	34
Flail tip speed	48 m/s (9448 fpm)	48 m/s (9448 fpm)	48 m/s (9448 fpm)	48 m/s (9448 fpm)
Rotor diameter	159mm (6.3")	159mm (6.3")	159mm (6.3")	159mm (6.3")
Roller diameter	140mm (5.5")	140mm (5.5")	140mm (5.5")	140mm (5.5")
Number of belts	4	5	5	5

SPEARHEAD

📍 Station Road, Salford Priors, Evesham, Worcestershire, WR11 8SW, England 📞 +44 (0)1789 491860

✉️ enquiries@spearheadmachinery.com 📧 spearheadmachinery.com 🌐 SpearheadWorld

