

SPEARHEAD

SNIPER 600-SHD



SNIPER 600-SHD FEATURES

SEMI-ENCLOSED CONNECTING SHAFTS

AUTOMATIC SYNCHRONISED WING RELEASE

CATEGORY 2/3 HEADSTOCK WITH CLEVIS TOP LINK

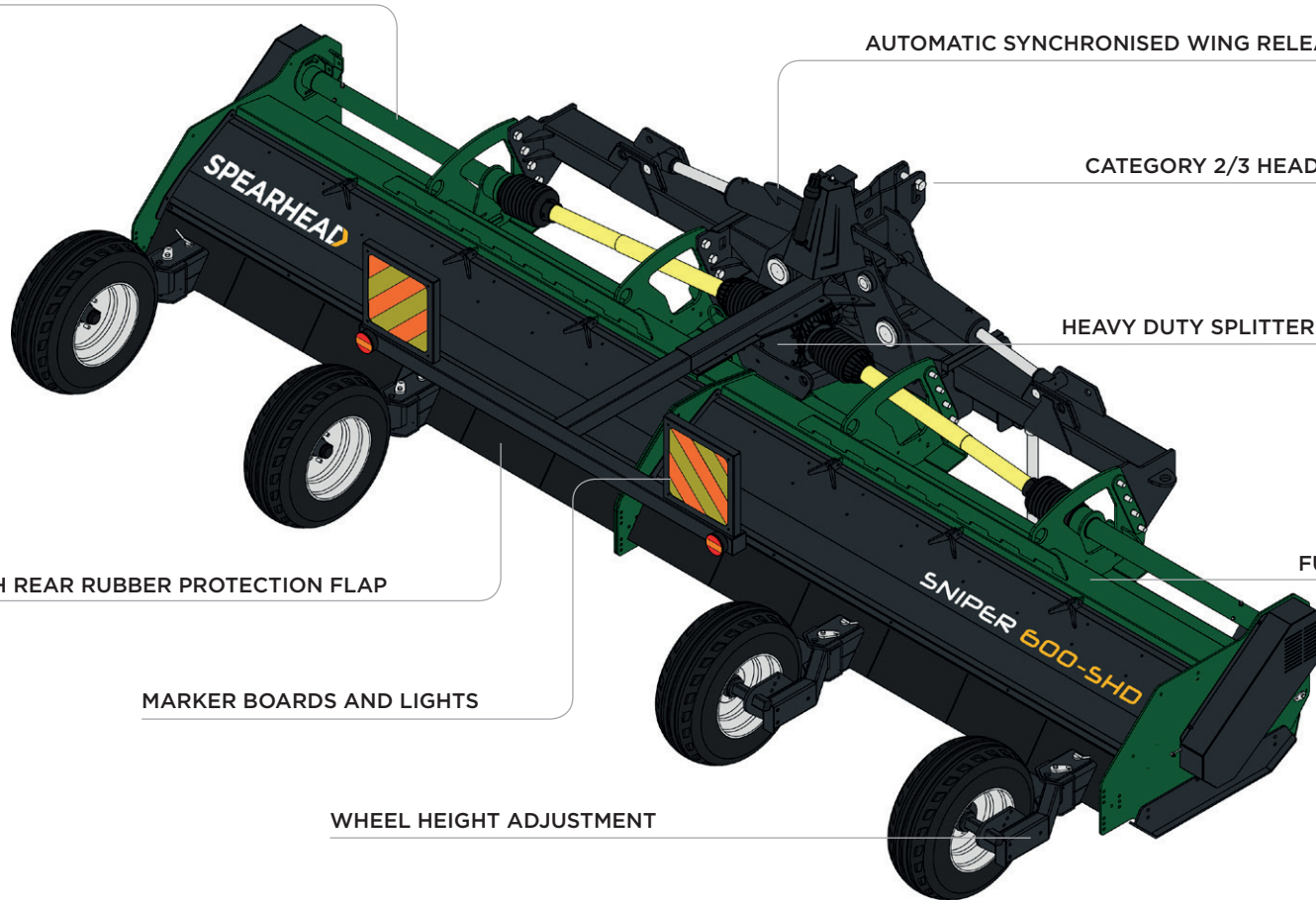
HEAVY DUTY SPLITTER GEARBOX AND CONNECTING SHAFTS

FULL WIDTH REAR RUBBER PROTECTION FLAP

FULLY WELDED CONSTRUCTION

MARKER BOARDS AND LIGHTS

WHEEL HEIGHT ADJUSTMENT



TRACTOR HP

150hp (112kW)



PTO SPEED

1000rpm



TRANSPORT WIDTH

2.45m (8' 1")



3 POINT LINKAGE MOUNTING



CUTTING WIDTH

6.00m (18' 8")



FLAIL TYPE

Heavy-duty hammer flail



NO. OF FLAILS

76



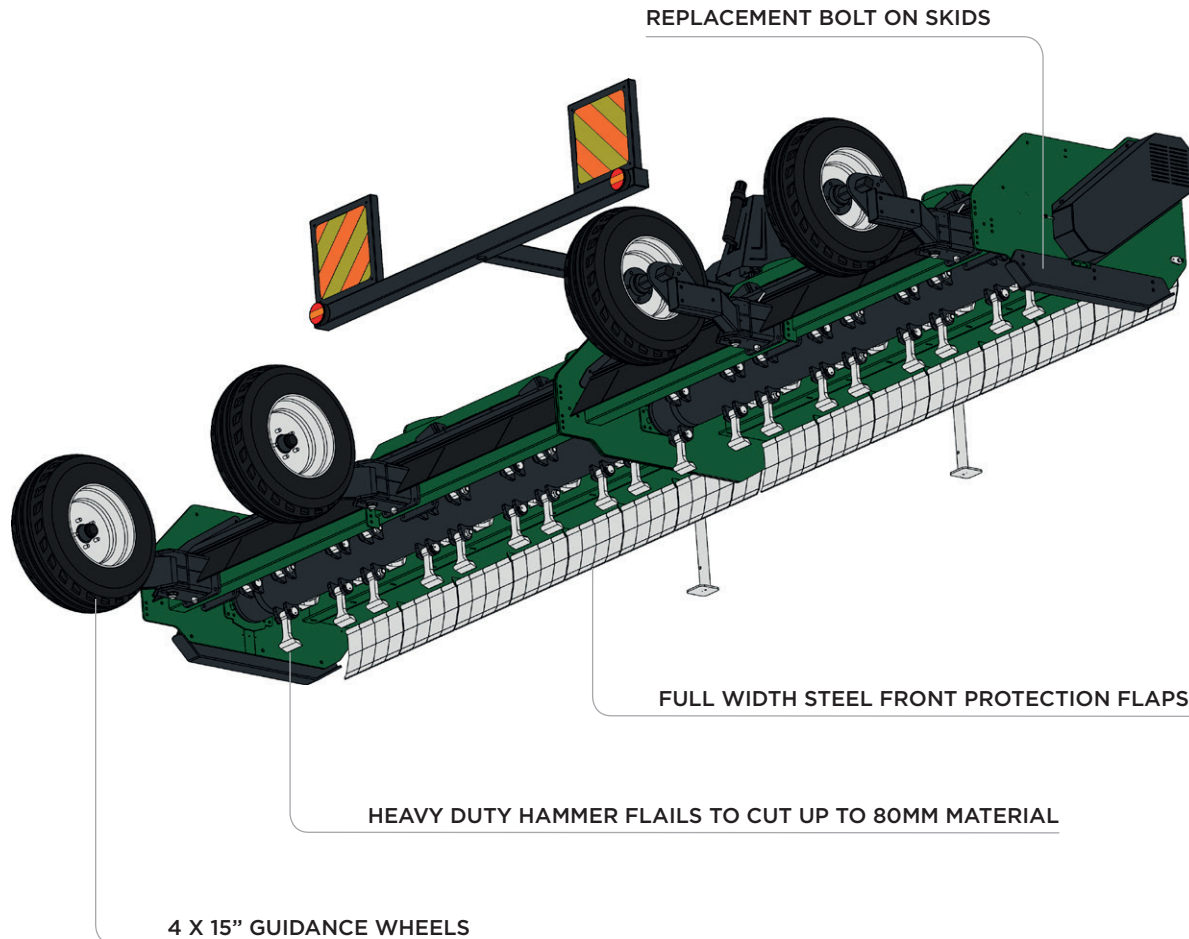
CUTTING HEIGHT

25mm - 65mm (1" - 2.6")

SNIPER 600-SHD

SIX METRE WIDE HEAVY-DUTY PROFESSIONAL FLAIL

-  AGRICULTURE
-  PASTURE
-  AMENITY
-  LIGHT SCRUB
-  HEAVY SCRUB
-  AIRFIELD
-  WATERWAYS



The Sniper 600-SHD flail mower is designed for agricultural and municipal use giving a high quality and consistent cut in material up to 80mm. It is the perfect choice for high-output, intense use farmers and professional operators such as contractors and local authorities.

This highly robust machine features heavy duty hammer flails fitted on two electronically balanced rotors mounted on enclosed, self-aligning bearings. Belt drive and heavy-duty driveline gives reliable power transmission in challenging conditions and with four, height adjustable, 15" guidance wheels will ensure a quality cut and well distributed finish; even in the most intense terrain.

The Sniper SHD range is available in a working width of 6.0 metres which a fold into a transport width of less than 2.5m.

SPECIFICATION		SNIPER 600-SHD	
Machine weight	2870kg (6327lbs)	Power take-off speed	1000rpm
Hitch	Category 2 with clevis top link	Gearbox	Cast iron housing with semi-enclosed connecting shafts
Hitch position	Rear mount only	Input shaft	1' 3/4" Z6
Cutting width	6.00m (18' 8")	Gearbox lubricant	EP80-90W or GL-4 / GL-5 oil
Working width	6.30m (20' 8")	Gearbox oil capacity	4.4 litres (7.7 pints)
Overall length	2.20m (7' 3")	Cowl construction	All welded construction
Transport width	2.45m (8' 1")	Skid construction	Replaceable bolt-on skid
Transport height	3.39m (11' 2")	Flails	Heavy-duty hammer flail
Cutting height	25mm - 65mm (1" - 2.6")	Flail quantity	76
Cutting capacity	80mm (3.1")	Flail tip speed	62m/s (12204 fpm)
Recommended tractor HP	150hp (112kW)	Number of belts	12 (6 per cowl)

SPEARHEAD

📍 Station Road, Salford Priors, Evesham, Worcestershire, WR11 8SW, England ☎ +44 (0)1789 491860

✉ enquiries@spearheadmachinery.com 📧 spearheadmachinery.com 🐦 📘 SpearheadWorld

