

SPEARHEAD

TWIGA MID



Vegetation Control – it’s in our makeup!

At Spearhead we are passionate about vegetation control machinery, it is a part of our makeup and it is what we have done best for more than 25 years.

Twiga Reach Arm Mowers.

Since the launch of the Twiga series back in 1995, Spearhead has pioneered the development of reach mowers to create a vast product range to suit varying different budget types and applications. From machines designed to fit compact tractors through to the longest reach machines for watercourse management; there is a model for every landscape.

Twiga reach arms extend from a minimum of 3.2m to a maximum 8.9m, with a variety of arm types and machine control options to suit every operator’s requirements.

Spearhead’s diverse range of reach arm attachments complement the Twiga range, with flail heads between 1.0 and 1.6m for all hedge cutting and verge mowing purposes along with a variety of rotary heads and sawblades to suit every working requirement.

Be it an agricultural or municipal application, Spearhead sets the standard in reach mowing and hedge cutting machinery solutions.



Overview	4
Features	6
Dimensions	7
Arm Types	8
Mounting	9
Control Systems	10
Machine Features	11
Optional Equipment	12
ATTACHMENTS	
Flail Heads	14
Cutterbars	18
Sawblades	19
Rotary Finishing Heads	20
Ditch Cleaners	23
Specifications	24

VIEW OUR OTHER TWIGA RANGES

TWIGA COMPACT

TWIGA CLASSIC

TWIGA PRO

TWIGA FLEX

TWIGA ORBITAL

The Twiga Mid is Spearhead's best-selling hedge cutter. Building on the features found in the Classic range and with a proven track record of delivering robustness and durability, the Twiga Mid is perfect for high-output, large-scale farmers, contractors and local authorities.

The Twiga Mid range is available in reaches between 5.5m and 7.0m, with a selection of arm types and a range of other machine options to ensure every possible working eventuality can be tackled in comfort.

Spearhead's Multipilot hydraulic proportional in-cab controls and a 75hp fully independent hydraulic system allows any of Spearhead's large range of reach arm attachments to be powered with ease. The Twiga Mid range is the professionals' choice for power, performance and productivity.



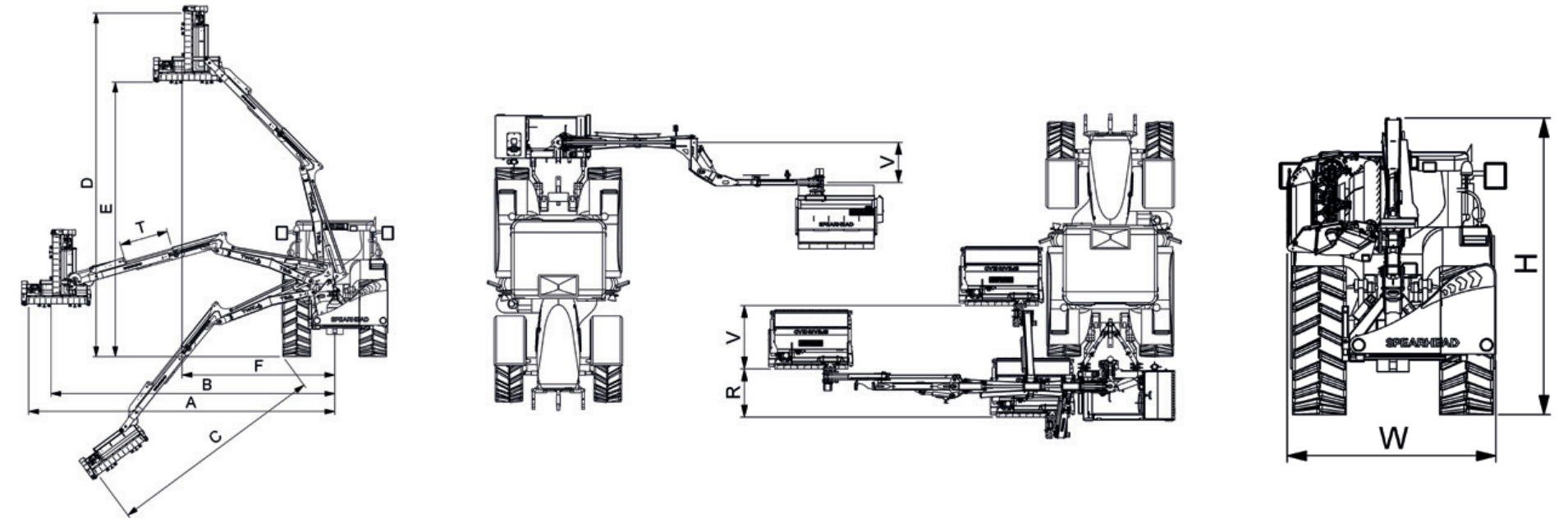
- TWIGA MID **S55**
- TWIGA MID **FR55**
- TWIGA MID **VFR55**
- TWIGA MID **S60**
- TWIGA MID **FR60**
- TWIGA MID **VFR60**
- TWIGA MID **T65**
- TWIGA MID **T70**

 TRACTOR POWER REQUIRED	 TRACTOR WEIGHT	 MACHINE POWER	 MACHINE WEIGHT	 MAXIMUM REACH	 TRANSPORT WIDTH
100hp	3750kg	75hp	1400kg	5.5m / 18' 1"	2.3m / 7' 7"
100hp	4000kg	75hp	1450kg	5.5m / 18' 1"	2.3m / 7' 7"
100hp	4000kg	75hp	1510kg	5.5m / 18' 1"	2.3m / 7' 7"
100hp	4000kg	75hp	1420kg	5.9m / 19' 4"	2.3m / 7' 7"
100hp	4250kg	75hp	1470kg	5.9m / 19' 4"	2.3m / 7' 7"
100hp	4250kg	75hp	1530kg	5.9m / 19' 4"	2.3m / 7' 7"
100hp	4500kg	75hp	1520kg	6.5m / 21' 4"	2.3m / 7' 7"
110hp	5000kg	75hp	1580kg	7.0m / 23'	2.3m / 7' 7"





-  AGRICULTURE
-  AMENITY
-  AIRFIELD
-  HIGHWAYS



	A	B	C	D	E	F	W	H	T	V	R
TWIGA MID S55	5.5m / 18' 1"	5.0m / 16' 5"	3.6m / 11' 8"	6.5m / 21' 4"	5.0m / 16' 5"	2.6m / 8' 6"	2.3m / 7' 7"	3.3m / 10' 10"	—	—	—
TWIGA MID FR55	5.5m / 18' 1"	5.0m / 16' 5"	3.6m / 11' 8"	6.5m / 21' 4"	5.0m / 16' 5"	2.6m / 8' 6"	2.3m / 7' 7"	3.3m / 10' 10"	—	0.7m / 2' 4"	—
TWIGA MID VFR55	5.5m / 18' 1"	5.0m / 16' 5"	3.6m / 11' 8"	6.5m / 21' 4"	5.0m / 16' 5"	2.6m / 8' 6"	2.3m / 7' 7"	3.3m / 10' 10"	—	1.1m / 3' 7"	0.9m / 2' 11"
TWIGA MID S60	5.9m / 19' 4"	5.4m / 17' 9"	4.0m / 13' 1"	6.8m / 22' 4"	5.3m / 17' 5"	3.0m / 9' 11"	2.3m / 7' 7"	3.3m / 10' 10"	—	—	—
TWIGA MID FR60	5.9m / 19' 4"	5.4m / 17' 9"	4.0m / 13' 1"	6.8m / 22' 4"	5.3m / 17' 5"	2.8m / 9' 2"	2.2m / 7' 3"	3.3m / 10' 10"	—	0.7m / 2' 4"	—
TWIGA MID VFR60	5.9m / 19' 4"	5.4m / 17' 9"	4.0m / 13' 1"	6.9m / 22' 8"	5.4m / 17' 9"	2.7m / 8' 10"	2.3m / 7' 7"	3.3m / 10' 10"	—	1.1m / 3' 7"	0.9m / 2' 11"
TWIGA MID T65	6.5m / 21' 4"	6.0m / 19' 8"	4.7m / 15' 5"	7.3m / 23' 11"	5.8m / 19'	3.2m / 10' 6"	2.3m / 7' 7"	3.6m / 11' 10"	0.9m / 2' 11"	—	—
TWIGA MID T70	7.0m / 23' 0"	6.5m / 21' 4"	5.2m / 17' 1"	8.0m / 26' 3"	6.6m / 21' 8"	2.9m / 9' 6"	2.3m / 7' 7"	3.7m / 12' 2"	0.9m / 2' 11"	—	—

Having pioneered Variable Forward Reach (VFR) technology in the 90's, Spearhead continues to provide the best visibility and control on the market with a selection of arm types now all available on the Twiga mid series.



S STANDARD

- › Industry standard
- › Robust performance
- › Fully welded tapered design
- › Superior geometry

T TELESCOPIC

- › Compact design
- › Improved flexibility
- › Additional reach where required
- › Easy arm extension



FR FORWARD REACH

- › Improved visibility
- › Full reach in forward position
- › Folds neatly for transport
- › Enhanced comfort

VFR VARIABLE FORWARD REACH

- › Spearhead innovation
- › Superior flexibility
- › Improved visibility
- › Forward and reverse working range

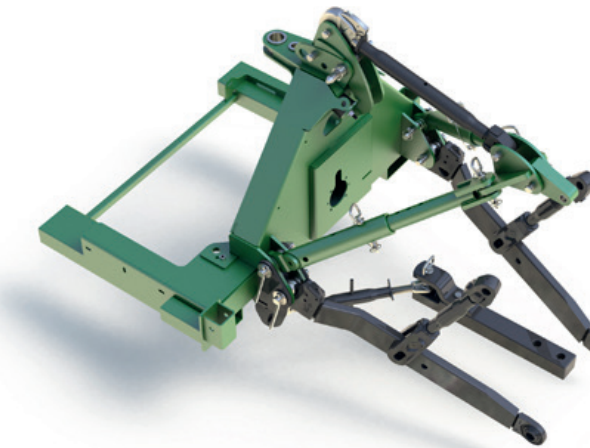


The Twiga Mid series is available with three alternative mounting options for stable and safe performance. Heavy duty and high strength in design, your Twiga can be easily mounted in minutes.



THREE POINT LINKAGE

- › Easy to fit
- › Heavy duty integrated stabiliser
- › Adjustable height settings
- › Pivoting top link nose
- › Cushioned main frame
- › Various nose ranges



FOUR POINT LINKAGE

- › Upgrade from standard three-point linkage
- › Additional support from tractor clevis hitch
- › Improves rigidity and stability



SUB FRAME AXLE MOUNTS

- › Retain flexibility of three-point linkage as standard
- › Secures Twiga to tractor axle for superior rigidity and stability
- › Reduces wear on tractor and Twiga
- › Easily fitted

The Twiga Mid series comes as standard with the Multipilot Hydraulic Proportional control system, giving all day operator comfort. All key functions are selected through the joystick and additional functions through the accompanying separate switch box.

An alternative fully electric Propilot Electric Proportional control system is available for a more compact in-cab solution.



MULTIPILOT HYDRAULIC PROPORTIONAL CONTROLS

- › Excellent comfort and feel
- › Robust build
- › Professional comfort armrest
- › Electric rotor control

PROPILOT ELECTRIC PROPORTIONAL CONTROLS

- › Precision control
- › Compact design
- › Professional comfort armrest
- › Electric rotor control



HEAD FLOAT

- › Greater attachment ability in following changing ground contours across its width
- › Automatically allows the head crowd to change its angling position during work



PARALLEL ARM SYSTEM

- › Allows movement in and out from the tractor without altering the height of the attachment
- › Single movement of the joystick required



DUAL CUSHIONED TOP LINK

- › Cushions the mainframe from sway during machine operation
- › Reduces stress on machine and tractor during transport



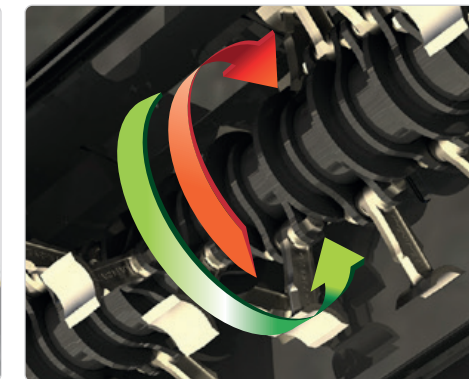
HYDRAULIC SLEW

- › Allows for variable movement in the arm during operation
- › Allows for compact transportation



CAB GUARD KIT

- › Protects tractor and operator from flying debris
- › Standard supply on all machines with universal fitment
- › Contains all fasteners and mesh kit



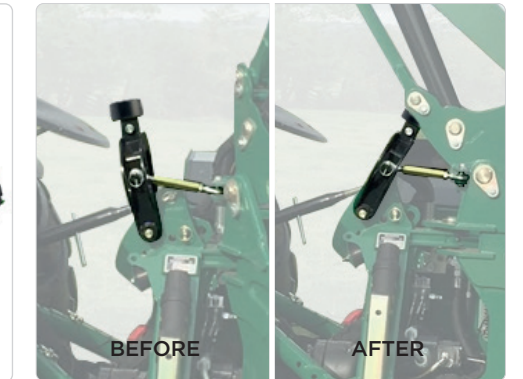
DUAL DIRECTION ROTOR

- › Fully independent hydraulics allows for downhill and uphill cutting
- › Simple, rotor direction change through switch on controls
- › Downhill cutting for heavy-duty mulching to break down heavy growth
- › Uphill cutting for cleaner cut and finish



AUTOMATIC RESET

- › Automatically brings back and lifts the arm in the event of a collision with an object
- › The arm will then automatically return to the original working position



AUTOMATIC FLIP OVER BRACKET

- › When folding the arm into transport the cushioning bracket will automatically move into position without needing to leave the tractor cab



ARM FLOAT

- Greater arm ability in following ground contours
- Automatically allows the arm to fall and raise during work



MECHANICAL QUICK ATTACH

- Reduced time in changing multiple attachments
- No requirement for specific tools



HYDRAULIC QUICK ATTACH

- Quick release probe fittings replace standard adaptors
- Push and release by hand
- No requirement for specific tools



DEBRIS BLOWER*

- Blows cut debris back into the hedgerow
- Fitted to the rear of the oil tank
- Keeps roads and pathways clear



AUTOPILOT

- Advanced automatic control system which allows the flail head to follow ground contours
- No requirement for any operator input
- Increased working speed and efficiency
- Reduced operator fatigue



HIGHWAY KIT* Contains:

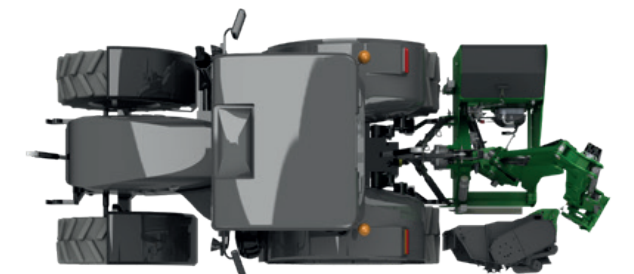
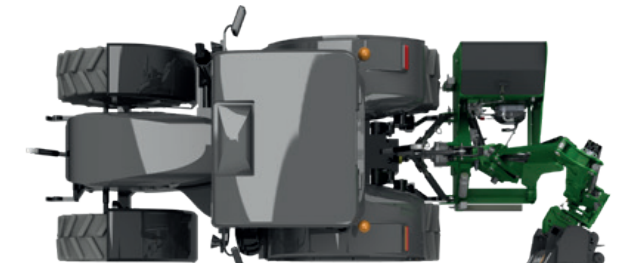
- Warning Arrow - magnetic pass sign placed on the rear of the oil tank to guide passing traffic
- Flashing LED's - additional lighting fitted to the rear panel of the machine increasing visibility
- Alternative Colour - for the requirements of the end user and/or increased visibility
- Highway Chevrons - for high visibility during night operations

*Photographs for illustration purposes only.



NARROW LANE BRACKET*

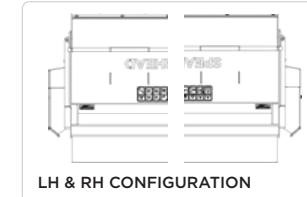
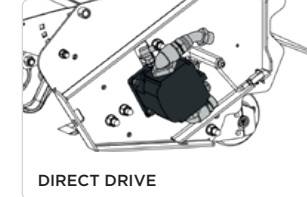
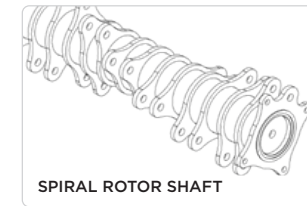
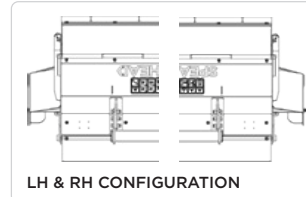
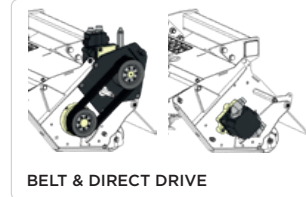
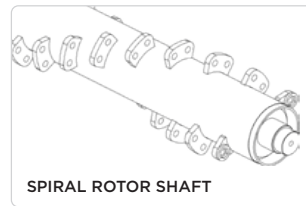
- Fits between arm and attachment
- Allows the cutting attachment to be brought inside of the width of the tractor
- Provides an additional arc of operation for the cutting attachments
- Single ram operation by tractor spool
- For use on small, single track roads



*Photographs for illustration purposes only.

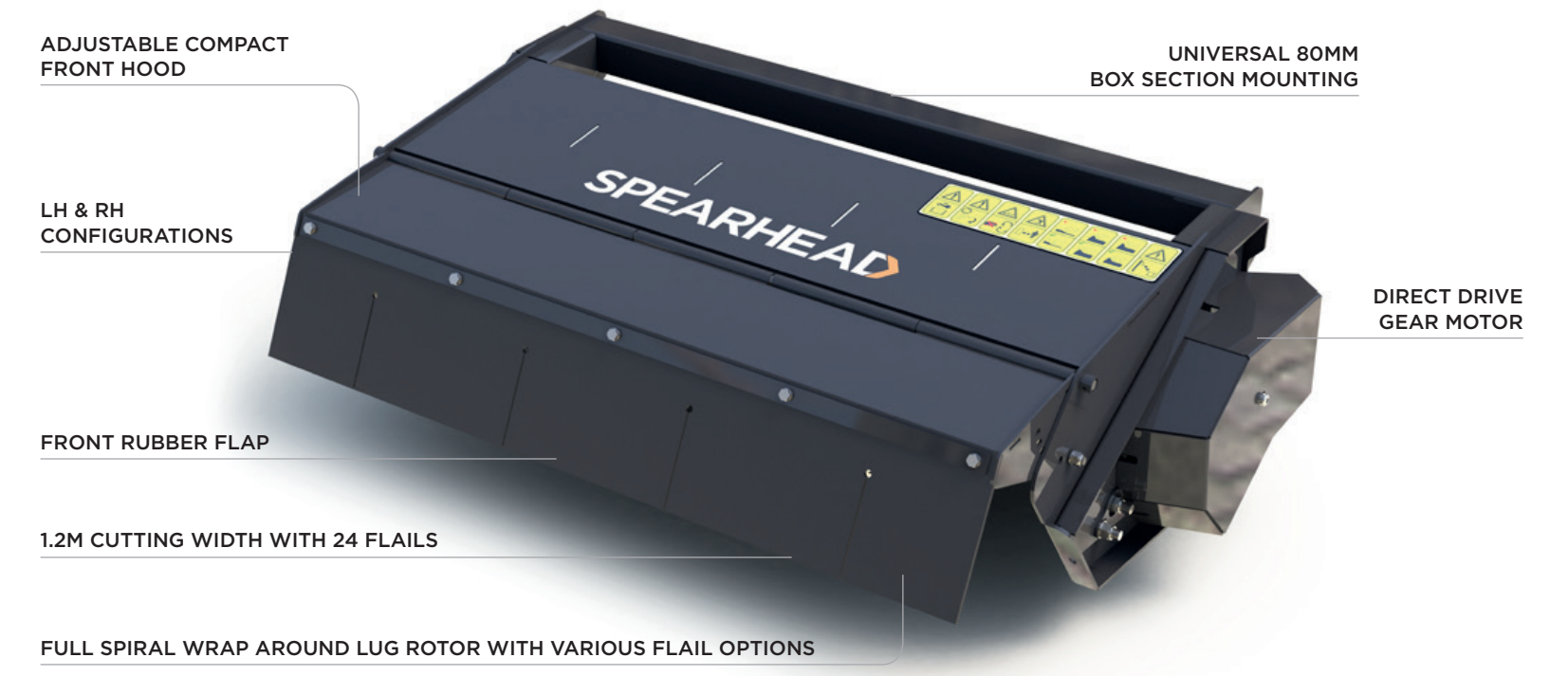
ATTACHMENTS MP1 FLAIL HEAD

The MP1 head is favoured by grass mowing professionals with its enclosed cowl, standard wear skirts and compact design. Featuring a host of flail options, this versatile head is also excellent for hedge cutting operations.



ATTACHMENTS MP2 FLAIL HEAD

Direct drive, reinforced side walls, an open throat and compact hood, make this head ideal for heavy duty hedge cutting operations.



1.2m / 4'



24



-80 - +125mm



GRASS/HEDGE



90 L/min



300 Bar



MP2
FLAIL HEAD

UNIT OPTIONS

MP1
FLAIL HEAD

UNIT OPTIONS



ATTACHMENTS PROJECT BLACK FLAIL HEAD

Belt drive with a maximum 1.6m cutting width, this all-round head is perfect for high output in all applications. Specify with a HD mulching rotor for extreme applications.

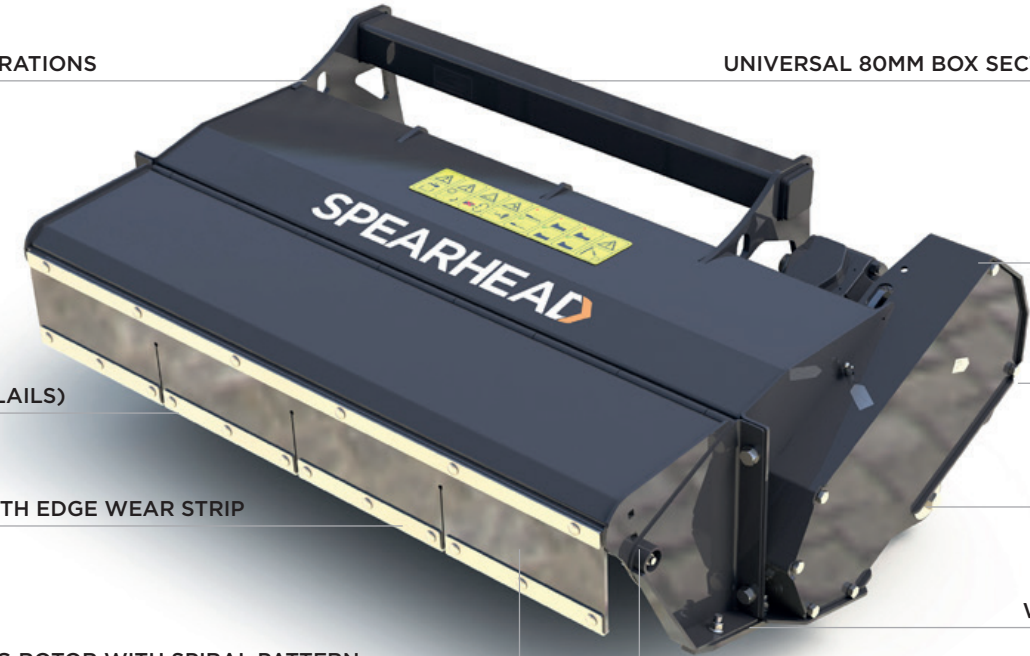
LH & RH BUILD CONFIGURATIONS

UNIVERSAL 80MM BOX SECTION MOUNTING

1.2M OR 1.6M CUTTING WIDTH OPTION (24/36 FLAILS)

FRONT RUBBER FLAP WITH EDGE WEAR STRIP

FULL WRAP AROUND LUG ROTOR WITH SPIRAL PATTERN AS STANDARD WITH VARIOUS FLAIL OPTIONS



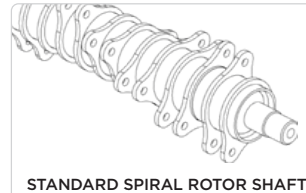
REMOTE GREASING

BELT DRIVEN GEAR MOTOR

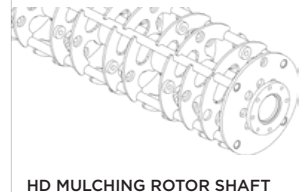
HYDRAULIC REAR ROLLER OPTION

WEAR SKIDS

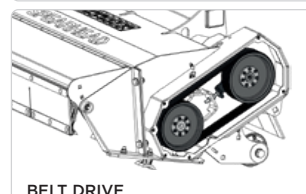
ADJUSTABLE FRONT HOOD



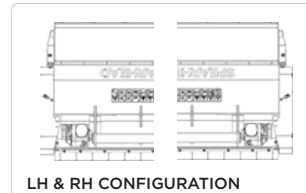
STANDARD SPIRAL ROTOR SHAFT



HD MULCHING ROTOR SHAFT



BELT DRIVE

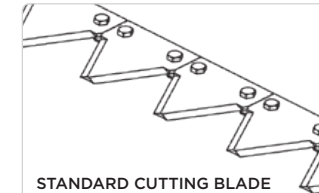


LH & RH CONFIGURATION

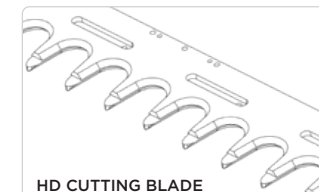


VARIOUS FLAIL OPTIONS:

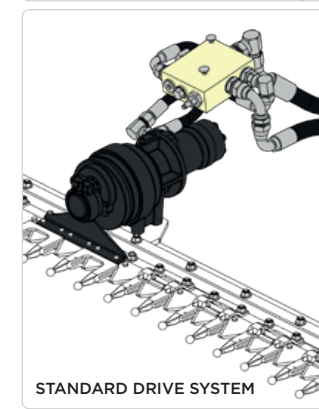
1. Boot Flail
2. Back-to-Back Flail
3. HD Mulching Flail*
4. Heavy Duty T-Flail



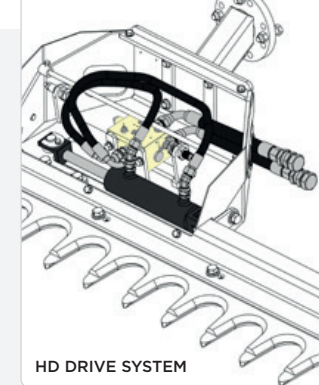
STANDARD CUTTING BLADE



HD CUTTING BLADE



STANDARD DRIVE SYSTEM



HD DRIVE SYSTEM

ATTACHMENTS CUTTERBARS

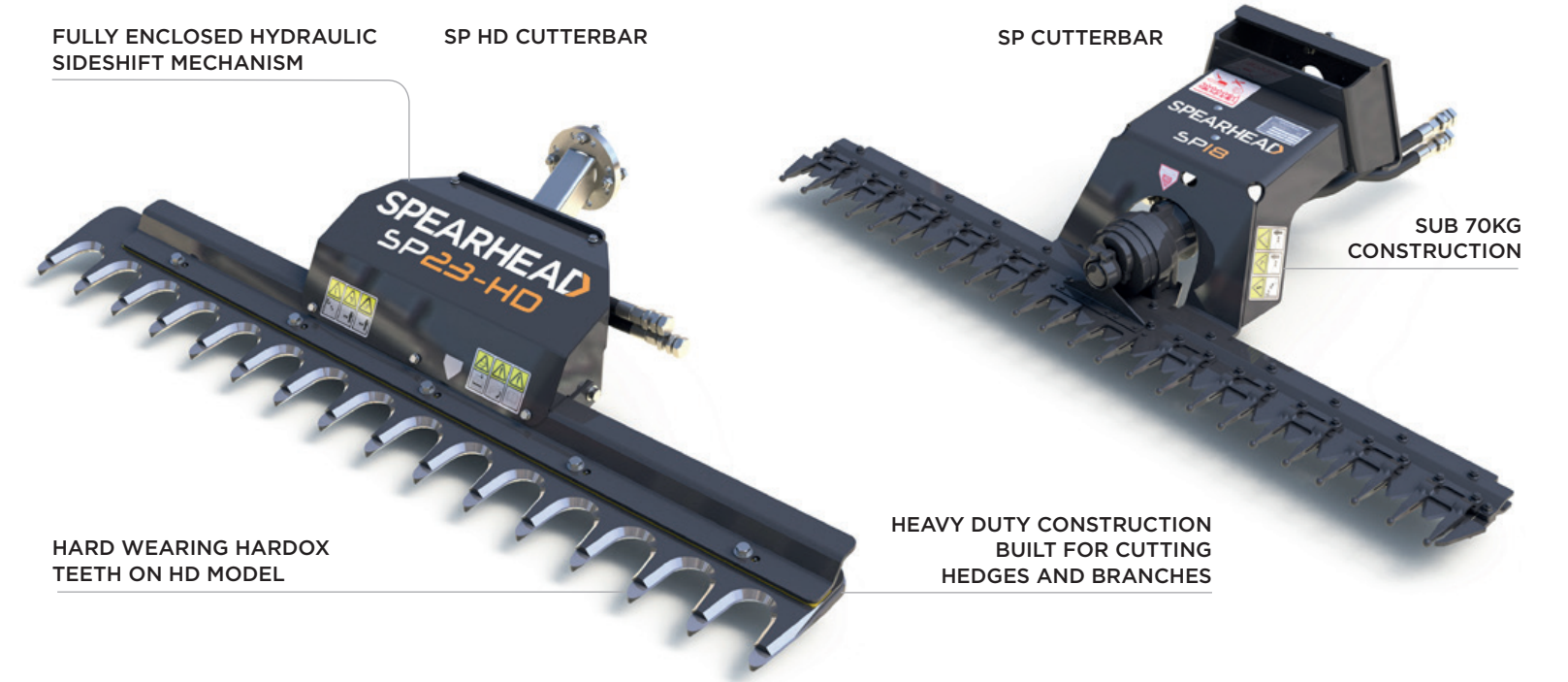
Spearhead's range of lightweight standard duty and heavy duty cutterbars are perfect for regular routine hedge cutting maintenance operations.

FULLY ENCLOSED HYDRAULIC SIDESHIFT MECHANISM

SP HD CUTTERBAR

SP CUTTERBAR

SUB 70KG CONSTRUCTION



HARD WEARING HARDOX TEETH ON HD MODEL

HEAVY DUTY CONSTRUCTION BUILT FOR CUTTING HEDGES AND BRANCHES

PB FLAIL HEAD

UNIT OPTIONS



CUTTING WIDTH

1.2m / 1.6m or 4' / 5' 3"



NUMBER OF FLAILS

24 or 36



ROLLER CUTTING HEIGHT

-70 - +135mm



APPLICATION

GRASS/HEDGE



MINIMUM FLOW

105 L/min



PRESSURE

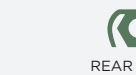
300 Bar



FLAILHEAD SKID KIT



HYDRAULIC REAR ROLLER



REAR FLAP



HYDRAULIC FRONT HOOD

*Only available on HD mulching rotor



CUTTING WIDTH

1.5m / 4' 9"

1.8m / 5' 9"

2.1m / 6' 9"

1.7m / 5' 6"

2.3m / 7' 5"

2.7m / 8' 8"



NO. OF BLADES

19

23

27

26

30

36



CUTTING CAPACITY

40mm

40mm

40mm

100mm

100mm

100mm



APPLICATION

HEDGE

HEDGE

HEDGE

HEDGE

HEDGE

HEDGE



MINIMUM FLOW

50 l/min

50 l/min

50 l/min

50 l/min

50 l/min

50 l/min



PRESSURE

180 bar

180 bar

180 bar

300 Bar

300 Bar

300 Bar

SP15 CUTTERBAR

SP18 CUTTERBAR

SP21 CUTTERBAR

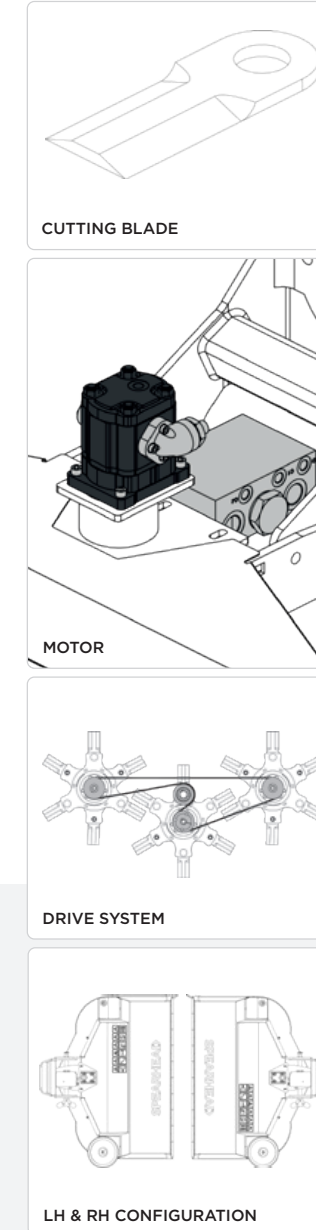
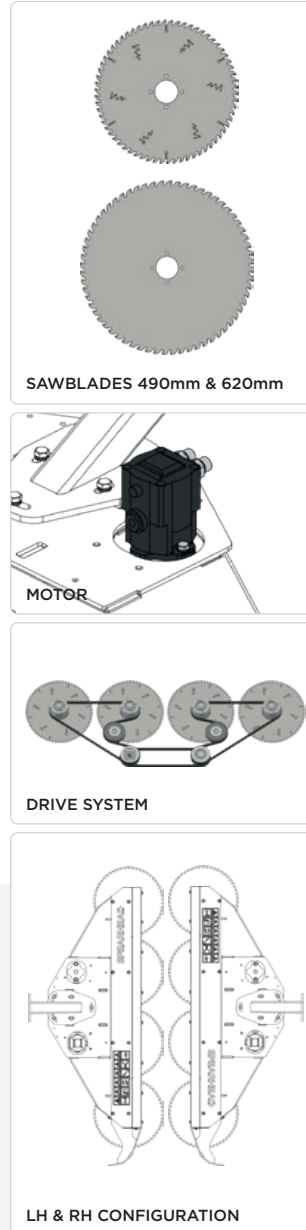
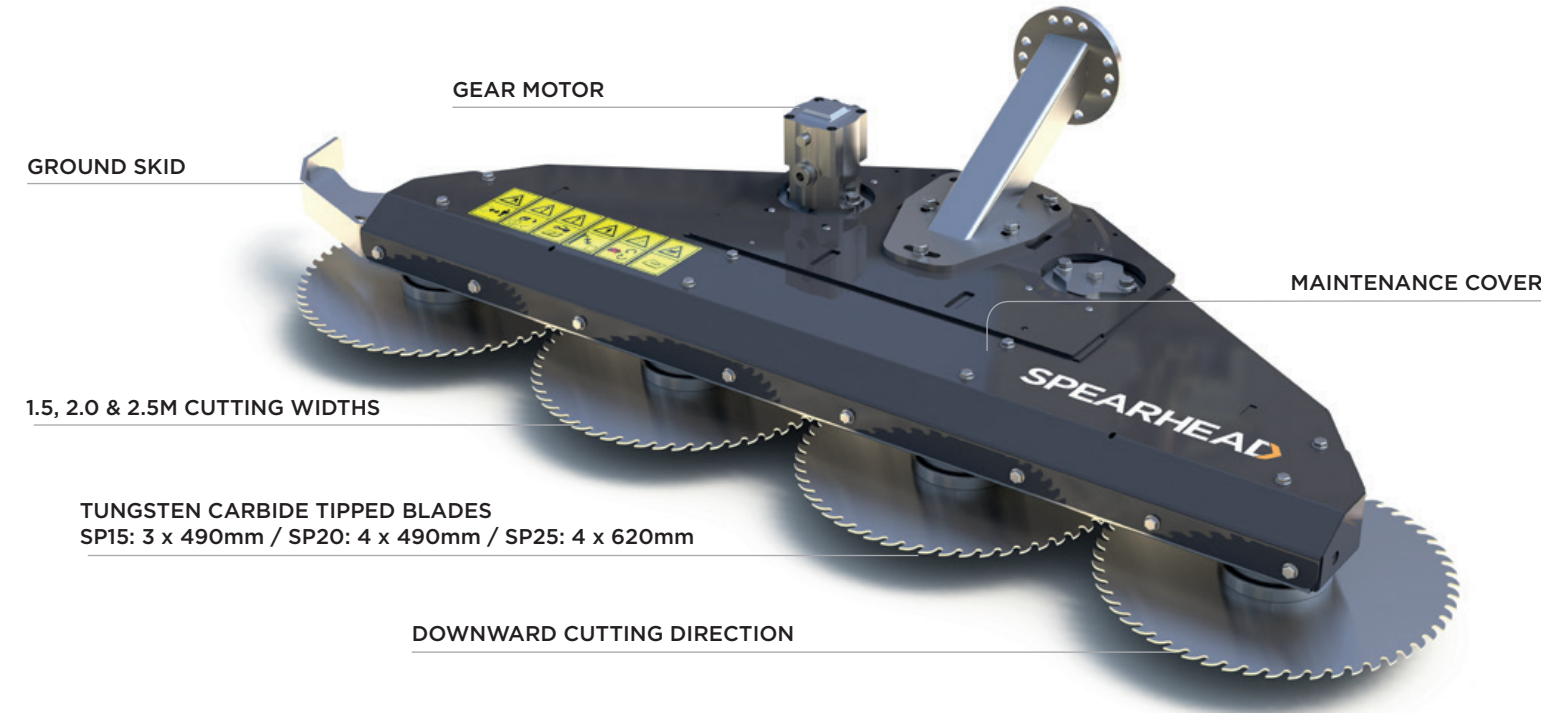
SP17 HD CUTTERBAR

SP23 HD CUTTERBAR

SP27 HD CUTTERBAR

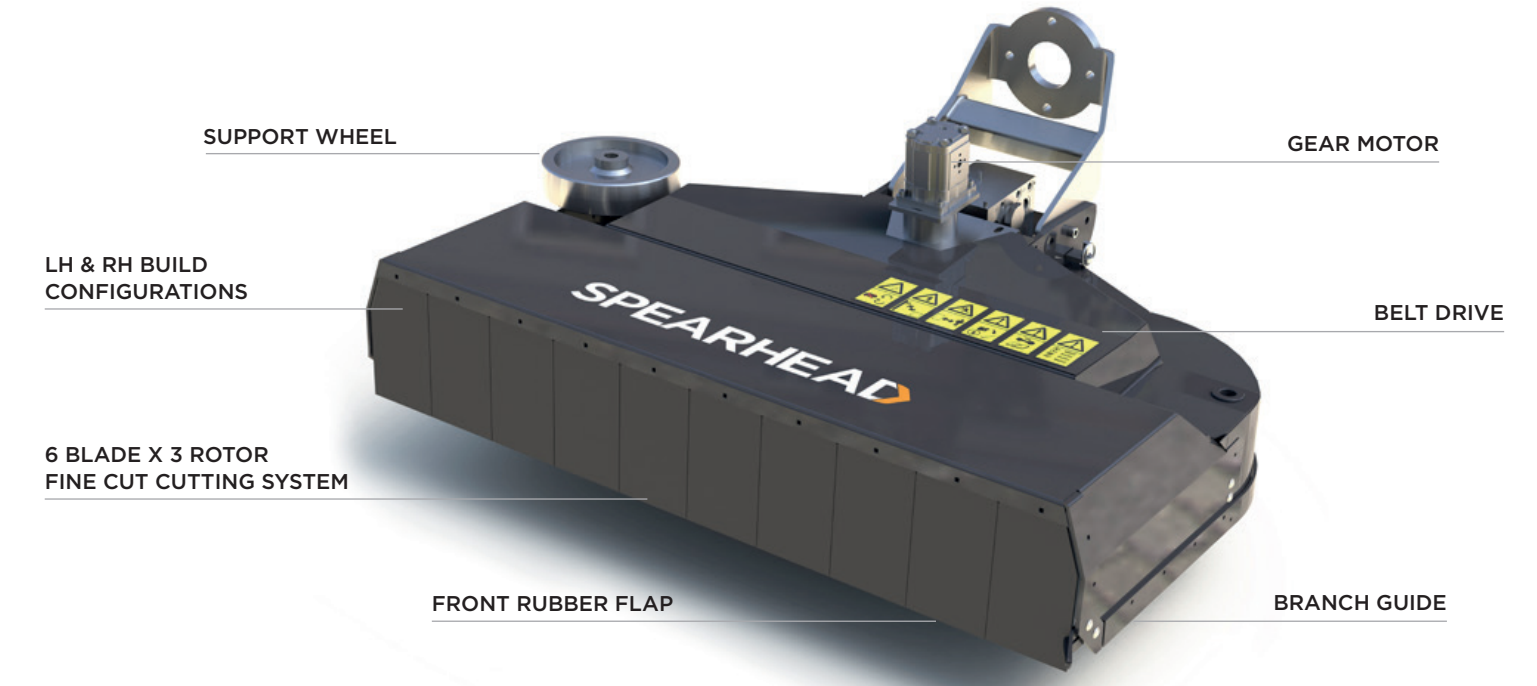
ATTACHMENTS SAWBLADES

Spearhead's Trisaw and Quadsaw sawblades are designed for the felling of larger diameter branches and overgrowth which cannot be cut using the regular flail head, rotary head or cutterbar. Sawblades provide an excellent finish on material up to 200mm in diameter.



ATTACHMENTS ROTARY FINISHING HEAD

The SP13 rotary finishing head is specifically designed for hedge cutting. With a high mulching capability thanks to its multiple blades, it is the perfect choice for a customer who has a high-quality finish as their highest priority on up to two years growth.



CUTTING WIDTH	NUMBER OF BLADES	CUTTING CAPACITY	APPLICATION	MINIMUM FLOW	PRESSURE
1.3m / 4' 2"	18	30mm / 1.81"	GRASS/HEDGE	45 L/min	180 bar

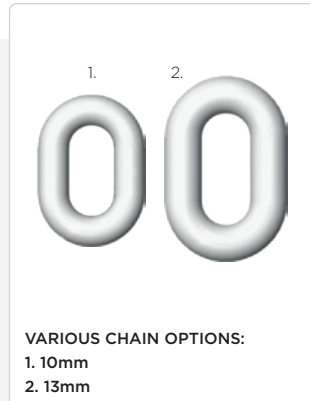
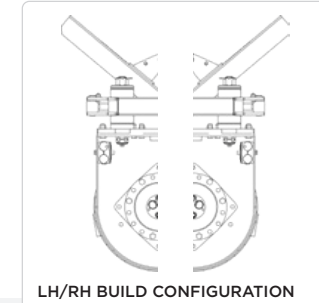
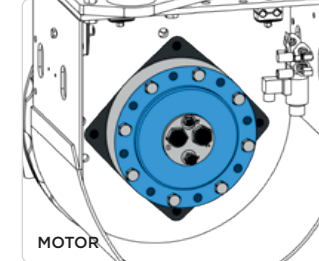
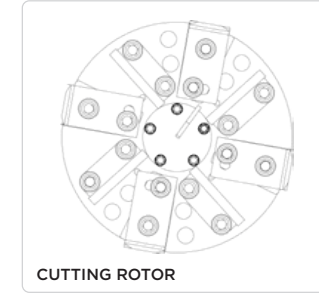
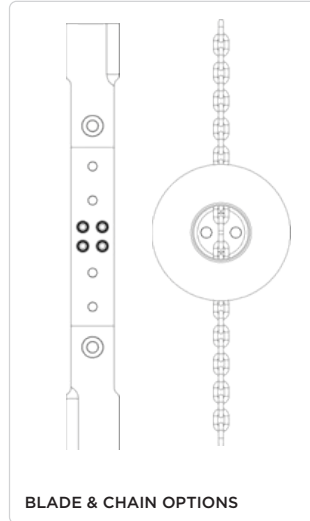
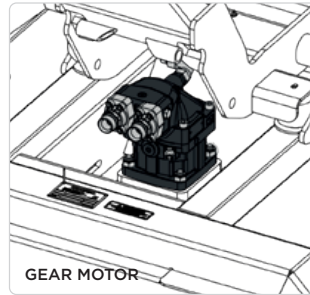
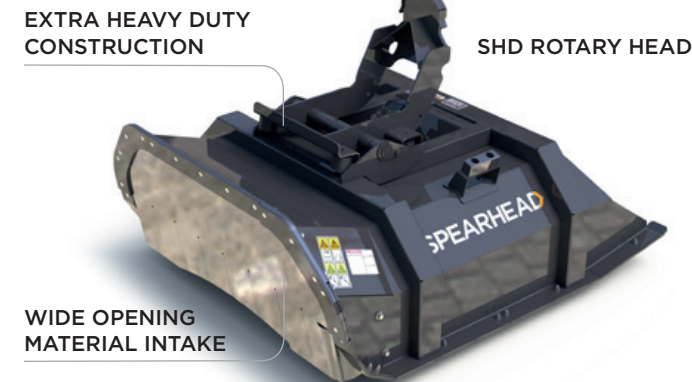
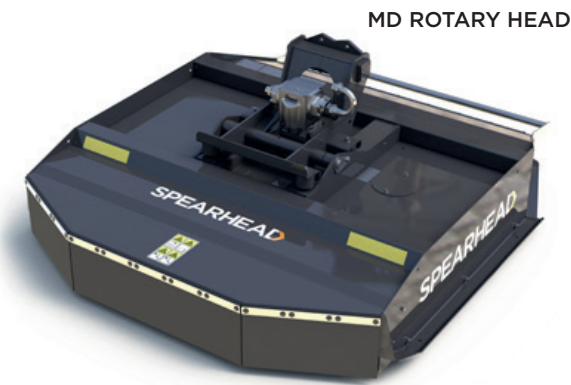
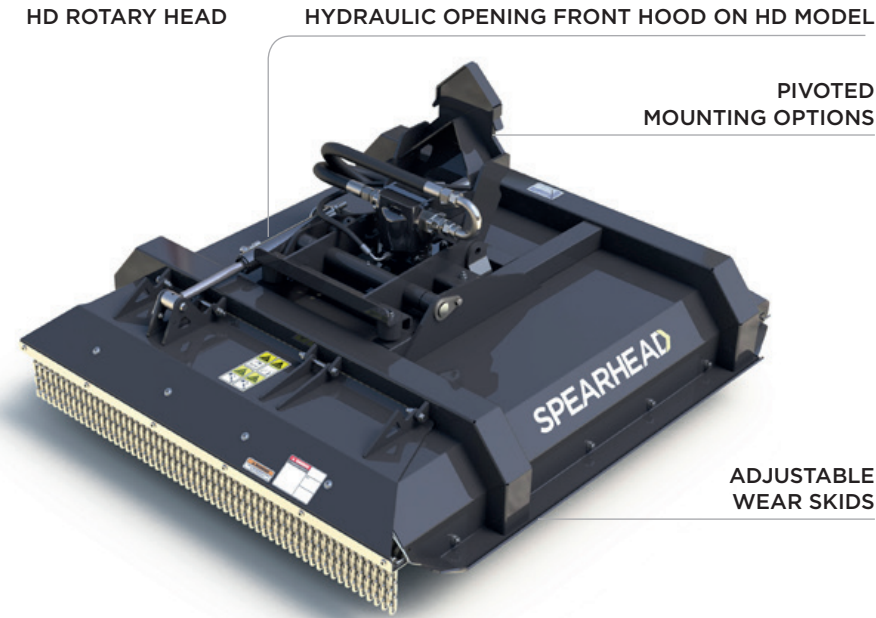
SP13 FINISHING HEAD

- SP15** TRISAW
- SP20** QUADSAW
- SP25** QUADSAW

CUTTING WIDTH	NUMBER OF BLADES	CUTTING CAPACITY	APPLICATION	MINIMUM FLOW	PRESSURE
1.5m / 4'9"	3	150mm	HEDGE	84-87 L/min	180 bar
2.0m / 6' 5"	4	150mm	HEDGE	84-87 L/min	300 Bar
2.5m / 7' 9"	4	150mm	HEDGE	84-87 L/min	300 Bar

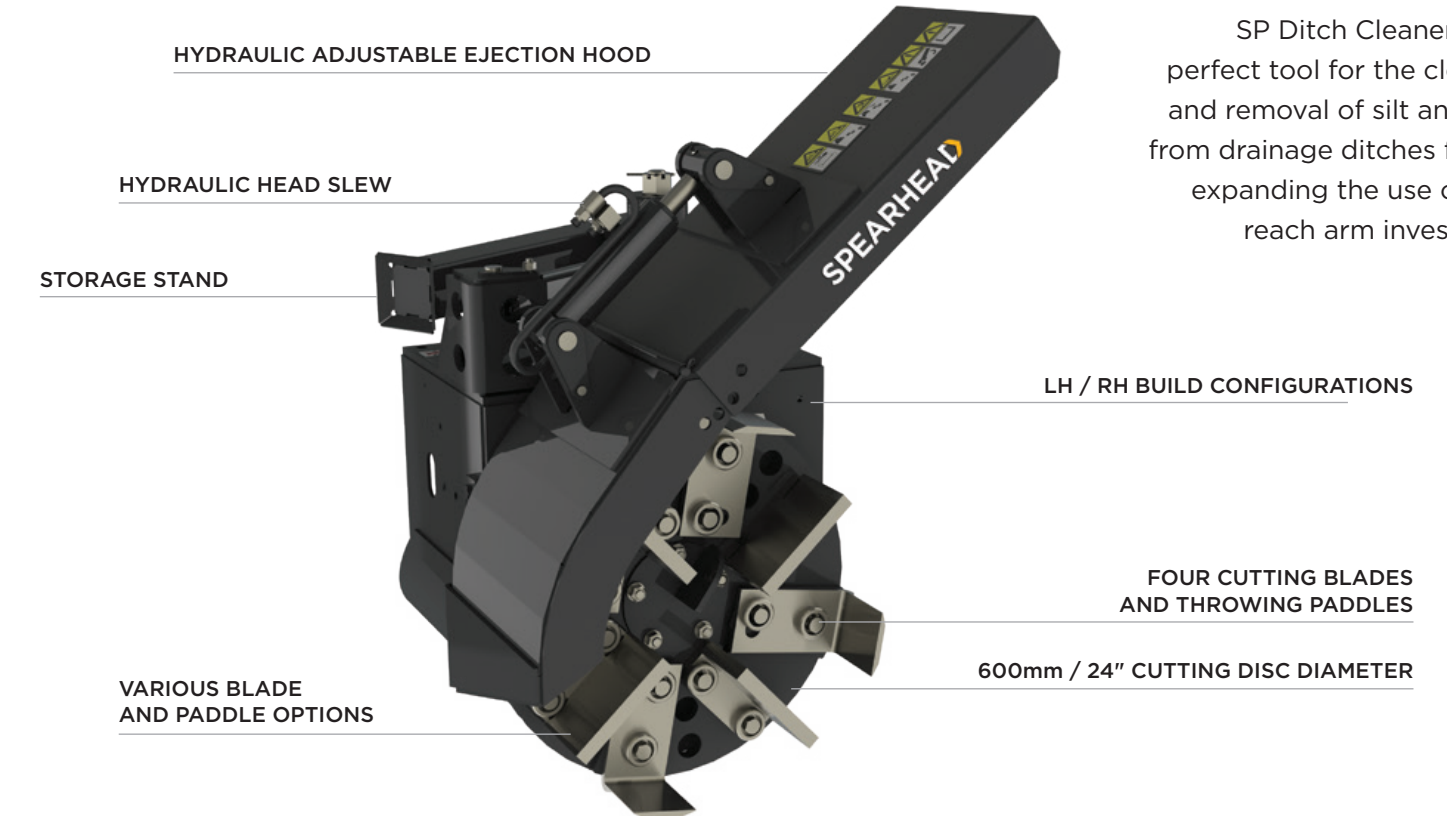
ATTACHMENTS ROTARY HEADS

Spearhead's wide range of rotary heads offer an alternative to the conventional flail head and are utilized in roadside mowing applications where heavier undergrowth and rocks are present.



ATTACHMENTS ROTARY DITCH CLEANER

SP Ditch Cleaner is the perfect tool for the cleaning and removal of silt and mud from drainage ditches further expanding the use of your reach arm investment.



	CUTTING WIDTH	NUMBER OF BLADES/CHAINS	CUTTING CAPACITY	CUTTING HEIGHT	APPLICATION	MINIMUM FLOW	PRESSURE
SPI2 MD ROTARY HEAD	1.2m / 3' 11"	2 (blades or chains)	100mm	50-75mm	GRASS/HEDGE	90 L/min	300 Bar
SPI5 MD ROTARY HEAD	1.5m / 4' 11"	2 (blades or chains)	100mm	50-75mm	GRASS/HEDGE	90 L/min	300 Bar
SPI2 HD ROTARY HEAD	1.2m / 3' 11"	2 (blades) or 3 (chains)	150mm	13-65mm	GRASS/HEDGE	90 L/min	300 Bar
SPI5 HD ROTARY HEAD	1.5m / 4' 11"	2 (blades) or 3 (chains)	150mm	13-65mm	GRASS/HEDGE	90 L/min	300 Bar
SPI2 SHD ROTARY HEAD	1.2m / 3' 11"	2 (chains)	150mm	65mm	GRASS/HEDGE	90 L/min	300 Bar
SPI5 SHD ROTARY HEAD	1.5m / 4' 11"	2 (chains)	150mm	65mm	GRASS/HEDGE	90 L/min	300 Bar



600mm / 24"	4	DITCH/GRIP	90 L/min	300 Bar
-------------	---	------------	----------	---------

SP DITCH CLEANER

TWIGA MID	S55	FR55	VFR55	S60	FR60	VFR60	T65	T70
SPECIFICATION								
Machine Weight*	1400kg	1450kg	1510kg	1420kg	1470kg	1530kgkg	1520kg	1580kg
TRACTOR REQUIREMENTS								
Minimum Tractor Weight	3750kg	4000kg	4000kg	4000kg	4250kg	4250	4500kg	5000kg
Tractor HP Guideline	100hp	100	100hp	100hp	100hp	100hp	100hp	100hp
TWIGA CONTROL SYSTEMS								
Multipilot Hydraulic Proportional Control System	■	■	■	■	■	■	■	■
Pilot Electric Proportional Control System	□	□	□	□	□	□	□	□
MOUNTING								
Rear Three Point Linkage	■	■	■	■	■	■	■	■
Rear Three Point Linkage With Four Point Kit	□	□	□	□	□	□	□	□
Rear Three Point Linkage With Axle Bracket Subframe	□	□	□	□	□	□	□	□
ARM TYPES								
Standard Arm = S	■	—	—	■	—	—	—	—
Telescopic Arm = T	—	—	—	—	—	—	■	■
Forward Reach Arm = Fr	—	■	—	—	■	—	—	—
Variable Forward Reach Arm = VFR	—	—	■	—	—	■	—	—
Parallel Arm System	■	■	■	■	■	■	■	■
Hydraulic Parallel System	—	—	—	—	—	—	—	—
HYDRAULIC SYSTEM								
System	Gear	Gear	Gear	Gear	Gear	Gear	Gear	Gear
Pump	Iron	Iron	Iron	Iron	Iron	Iron	Iron	Iron
Pump Arrangement	Twin	Twin	Twin	Twin	Twin	Twin	Twin	Twin
Drive Type	Fully Independent	Fully Independent	Fully Independent	Fully Independent	Fully Independent	Fully Independent	Fully Independent	Fully Independent
Tank Capacity	210 Ltrs	210 Ltrs	210 Ltrs	210 Ltrs	210 Ltrs	210 Ltrs	210 Ltrs	210 Ltrs
Horsepower	75hp	75hp	75hp	75hp	75hp	75hp	75hp	75hp
Flow Rate (L/Min)	105	105	105	105	105	105	105	105
KEY FEATURES & OPTIONS								
Cushioned Top Link	■	■	■	■	■	■	■	■
Hydraulic Slew	■	■	■	■	■	■	■	■
Automatic Reset	■	■	■	■	■	■	■	■
Head Float	■	■	■	■	■	■	■	■
Arm Float	□	□	□	□	□	□	□	□
Autopilot	□	□	□	□	□	□	□	□
Oil Cooler	■	■	■	■	■	■	■	■
Dual Direction Rotor (Electric)	■	■	■	■	■	■	■	■
Hydraulic Oil	■	■	■	■	■	■	■	■
Biodegradeable Oil	□	□	□	□	□	□	□	□
Narrow Lane Bracket	□	□	□	□	□	□	□	□
Mechanical Quick Release Kit (1 Set - M/F)	□	□	□	□	□	□	□	□
Hydraulic Quick Release Kit (1 Set - M/F)	□	□	□	□	□	□	□	□
Hydraulic Roller	□	□	□	□	□	□	□	□
SAFETY EQUIPMENT								
Cab Guard Kit	■	■	■	■	■	■	■	■
Debris Blower And Mounting Kit	□	□	□	□	□	□	□	□
Warning Arrow Kit	□	□	□	□	□	□	□	□
LED Road Lighting Kit	■	■	■	■	■	■	■	■
Flashing LEDs	□	□	□	□	□	□	□	□

* Dependent on specification with oil less attachment

TWIGA MID	S55	FR55	VFR55	S60	FR60	VFR60	T65	T70
MP COMPACT FLAILHEADS								
1.0m MP Compact Direct Drive Flail Head	—	—	—	—	—	—	—	—
MP1 FLAILHEADS								
1.2m MP1 Direct Drive Flail Head	✓	✓	✓	✓	✓	✓	✓	✓
1.2m MP1 Belt Drive Flail Head	✓	✓	✓	✓	✓	✓	✓	✓
1.5m MP1 Direct Drive Flail Head	✓	✓	✓	✓	✓	✓	✓	✓
1.5m MP1 Belt Drive Flail Head	✓	✓	✓	✓	✓	✓	✓	✓
MP2 FLAILHEADS								
1.2m MP2 Direct Drive Flail Head	✓	✓	✓	✓	✓	✓	✓	✓
PB FLAILHEADS								
1.2m PB Belt Drive Flail Head	✓	✓	✓	✓	✓	✓	✓	✓
1.2m PB Belt Drive Flail Head - HD Mulching Rotor	✓	✓	✓	✓	✓	✓	✓	✓
1.6m PB Belt Drive Flail Head	✓	✓	✓	✓	✓	✓	✓	✓
SP CUTTERBARS								
SP15 Cutterbar	✓	✓	✓	✓	✓	✓	✓	✓
SP18 Cutterbar	✓	✓	✓	✓	✓	✓	✓	✓
SP21 Cutterbar	✓	✓	✓	✓	✓	✓	✓	✓
SP HD CUTTERBARS								
SP17 HD Cutterbar	✓	✓	✓	✓	✓	✓	✓	✓
SP23 HD Cutterbar	✓	✓	✓	✓	✓	✓	✓	✓
SP27 HD Cutterbar	✓	✓	✓	✓	✓	✓	✓	✓
SP QUADSAWS								
SP15 Quadsaw	✓	✓	✓	✓	✓	✓	✓	✓
SP20 Quadsaw	✓	✓	✓	✓	✓	✓	✓	✓
SP25 Quadsaw	✓	✓	✓	✓	✓	✓	✓	✓
SP ROTARY FINISHING HEADS								
SP13 Rotary Finishing Head	✓	✓	✓	✓	✓	✓	✓	✓
SP ROTARY HEADS								
SP12 MD Rotary Head	✓	✓	✓	✓	✓	✓	✓	✓
SP15 MD Rotary Head	✓	✓	✓	✓	✓	✓	✓	✓
SP12 HD Rotary Head	✓	✓	✓	✓	✓	✓	✓	✓
SP15 HD Rotary Head	✓	✓	✓	✓	✓	✓	✓	✓
SP12 Super HD Rotary Head	✓	✓	✓	✓	✓	✓	✓	✓
SP15 Super HD Rotary Head	✓	✓	✓	✓	✓	✓	✓	—
SP ROTARY DITCH CLEANERS								
SP Ditch Cleaner	✓	✓	✓	✓	✓	✓	✓	—

SPEARHEAD

📍 Station Road, Salford Priors, Evesham, Worcestershire, WR11 8SW, England ☎ +44 (0)1789 491860

✉ enquiries@spearheadmachinery.com 🌐 spearheadmachinery.com 🐦 [SpearheadWorld](#)



designed and built in
GREAT BRITAIN 

Spearhead
is a member of the

Alamo Group

All information in this brochure is correct at the time of printing. Spearhead Machinery Limited has the right to change any of the data or descriptions at any time without prior warning. All dimensions are for reference.